

Content Indexing

PDF
Number of pages


01.Index	-----1
02.Change List	-----2
03.Block Diagram	-----3
04.Power tree-RK805-1	-----4
05.System Power-PMIC RK805-1	-----5
06.RK3328 Power	-----6
07.RK3328 OSC/PLL/OTP/SARADC	-----7
08.RK3328 DDR Controler	-----8
09.RK3328 eMMC Controler/TF/SPI	-----9
10.RK3328 USB2 PHY/USB3 PHY	-----10
11.RK3328 SDIO/UART/I2C/I2S/IR	-----11
12.RK3328 HDMI PHY	-----12
13.RK3328 AV Interface	-----13
14.RK3328 FEPHY	-----14
15.RAM DDR4 2x16bit	-----15
16.DC_IN/RECOVER	-----16
17.TF/SD Card/AT18	-----17
18.Flash-eMMC	-----18
19.USB Port	-----19
20.HDMI OUT Port	-----20
21.AV OUT Port	-----21
22.10/100M-Embed PHY	-----22
23.WIFI+BT_1T1R	-----23
24.Connector	-----24

Note:

Component parameter description

1. DNP stands for component not mounted temporarily

2. If Value or option is DNP, which means the area is reserved without being mounted

		www.t-firefly.com	
Title: <Title>			
File: <Doc>		REV: <Revcode>	
Create Date: Thursday, March 09, 2017		Page Num: 1	
Modify Date: Monday, September 25, 2017		Page Total: 24	

5

4

3

2

1

Version	Date	Author	Change Note	Approved
V00	20170925	LZZ	First edictor	



www.t-firefly.com

Title: <Title>	
File: <Doc>	REV: <Revcode>
Create Date: Thursday, March 09, 2017	Page Num: 2
Modify Date: Monday, September 25, 2017	Page Total: 24

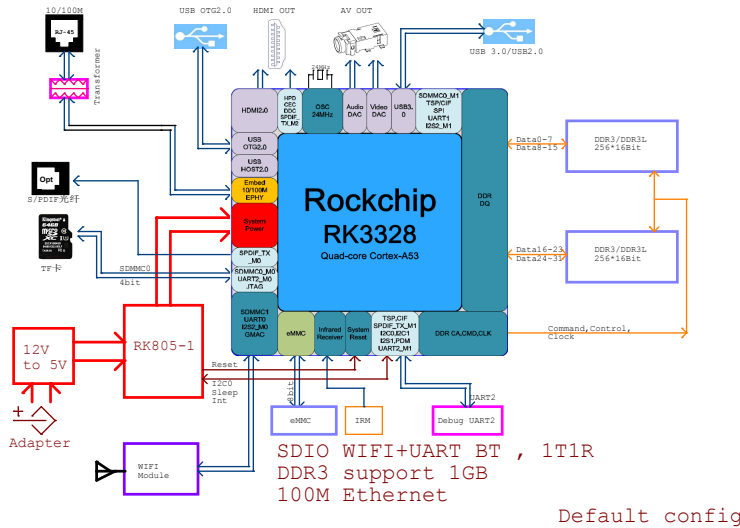
5

4

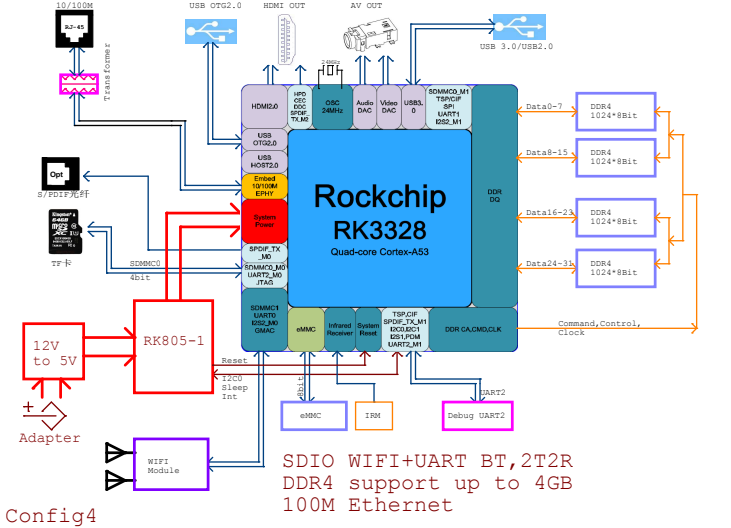
3

2

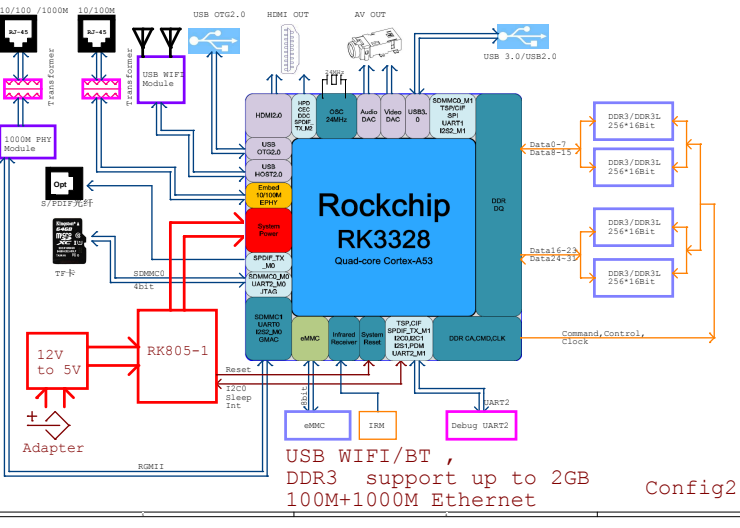
1



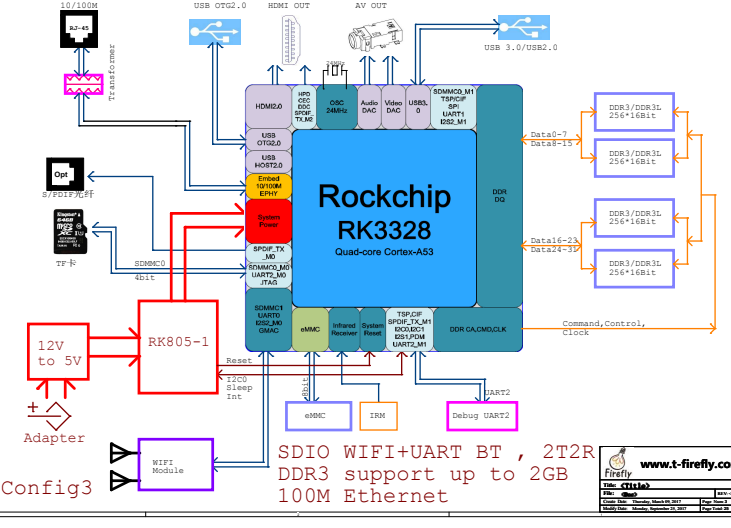
Default config



Config4

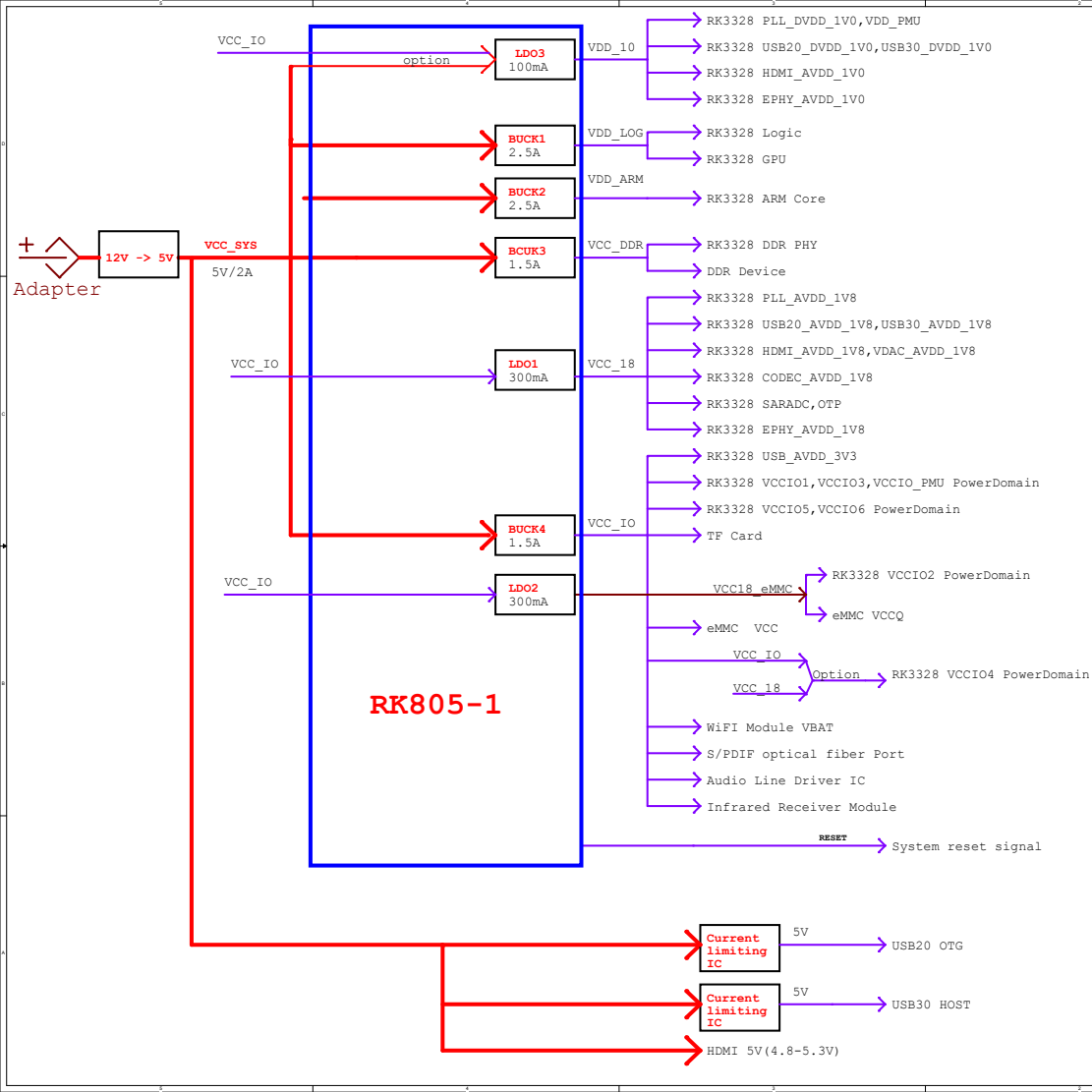


Config2



Config3

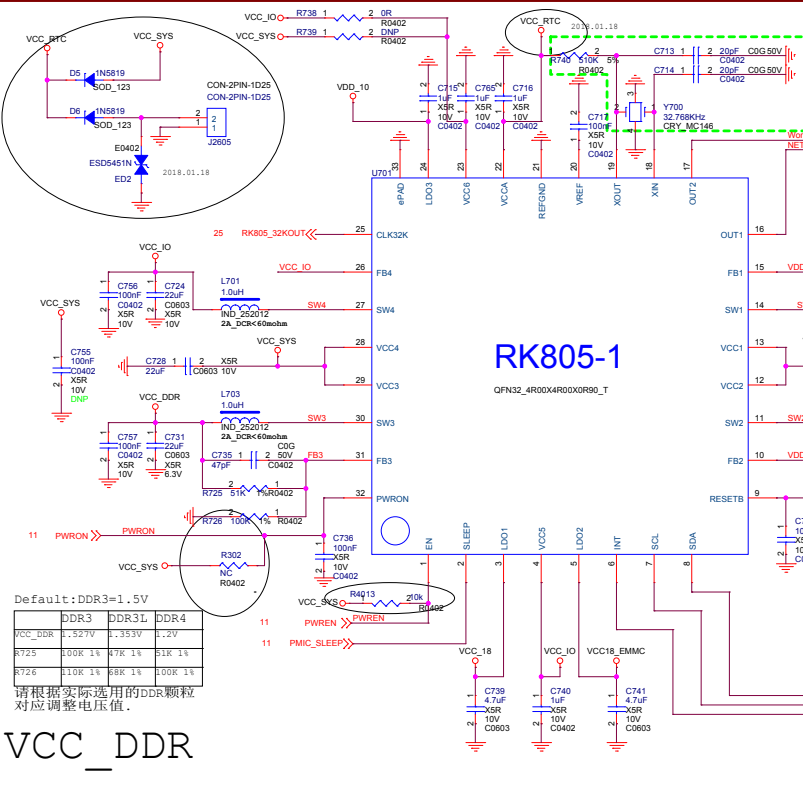
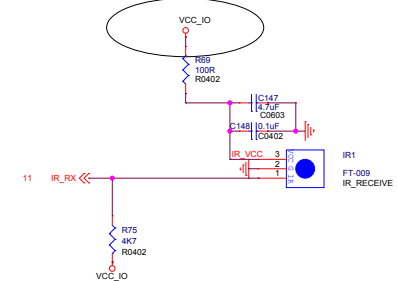




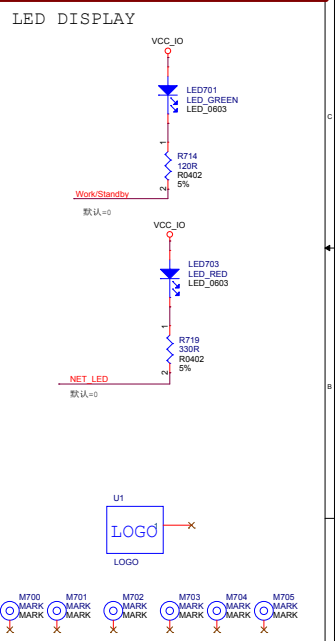
Power Timing

TYPE	VOLT	STEP	PowerName
BUCK1	1.1V		VDD_LOG
BUCK2	1.1V		VDD_ARM
BUCK3	FB=0.8V		VCC_DDR
BUCK4	3.3V		VCC_IO
LDO1	1.8V		VCC_18
LDO2	1.8V		VCC18_eMMC
LDO3	1.0V		VDD_10

IO电源域电压	IO电压=3.3V	IO电压=1.8V
VCCIO_PMU	3.3V	不支持
VCCIO1	3.3V	不支持
VCCIO2		1.8V (默认) eMMC
VCCIO3	3.3V (默认)	
VCCIO4	3.3V (默认) WiFi:RTL8723BS	
VCCIO5	3.3V (默认)	
VCCIO6	3.3V (默认)	



- 1: 如WiFi/BT需要32.768KHz时钟, 默认由CPU提供32.769KHz时钟, 默认不贴。
- 2: 如果修改了PLL分频, 造成无法分出32.769KHz时钟, 然后WiFi/BT又需要32.768KHz时钟, 那么这部分电路需要贴上。
- 3: WiFi/BT不用32.768KHz时钟, 这部分可以不贴。模组是否需要32.768KHz, 请见各WiFi/BT模组分页说明。



Default:DDR3=1.5V

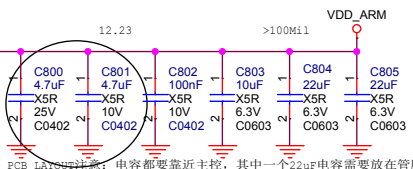
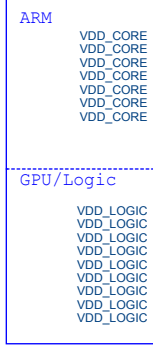
VCC_DDR	DDR3	DDR3L	DDR4
R725	100K 1%	47K 1%	31K 1%
R726	10K 1%	88K 1%	100K 1%

请根据实际选用的DDR颗粒对应调整电压值。

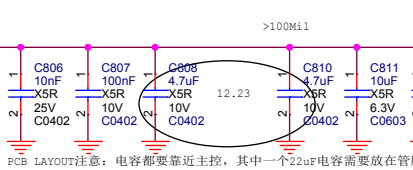
VCC_DDR

Firefly www.t-firefly.com

Title: <Title>	REV: <Recode>
File: <Doc>	
Create Date: Thursday, March 09, 2017	Page Num: 5
Modify Date: Friday, July 13, 2018	Page Total: 25

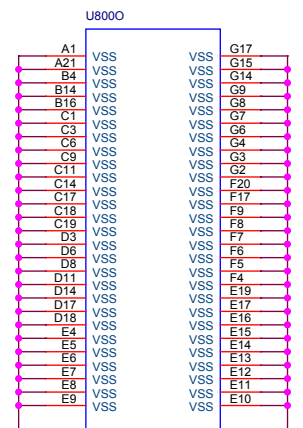


PCB LAYOUT注意: 电容都要靠近主控, 其中一个22uF电容需要放在管脚正下方。

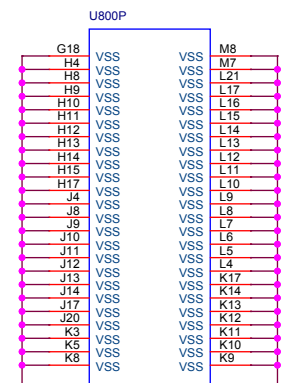


PCB LAYOUT注意: 电容都要靠近主控, 其中一个22uF电容需要放在管脚正下方。

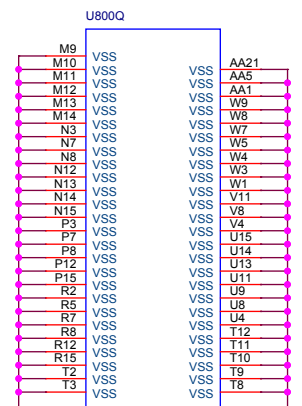
RK3328
BGA395_14R00X14R00X1R24



RK3328
BGA395_14R00X14R00X1R24

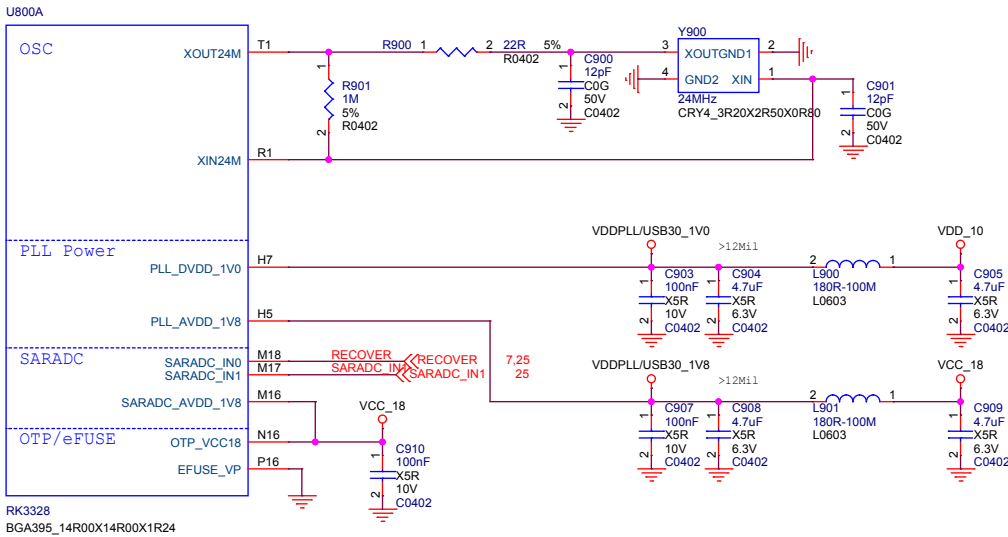


RK3328
BGA395_14R00X14R00X1R24

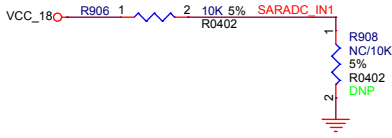


RK3328
BGA395_14R00X14R00X1R24

Title: <Title>	
File: <Doc>	REV: <Revcode>
Create Date: Thursday, March 09, 2017	Page Num: 6
Modify Date: Saturday, December 23, 2017	Page Total: 25



RK3328
BGA395_14R00X14R00X1R24

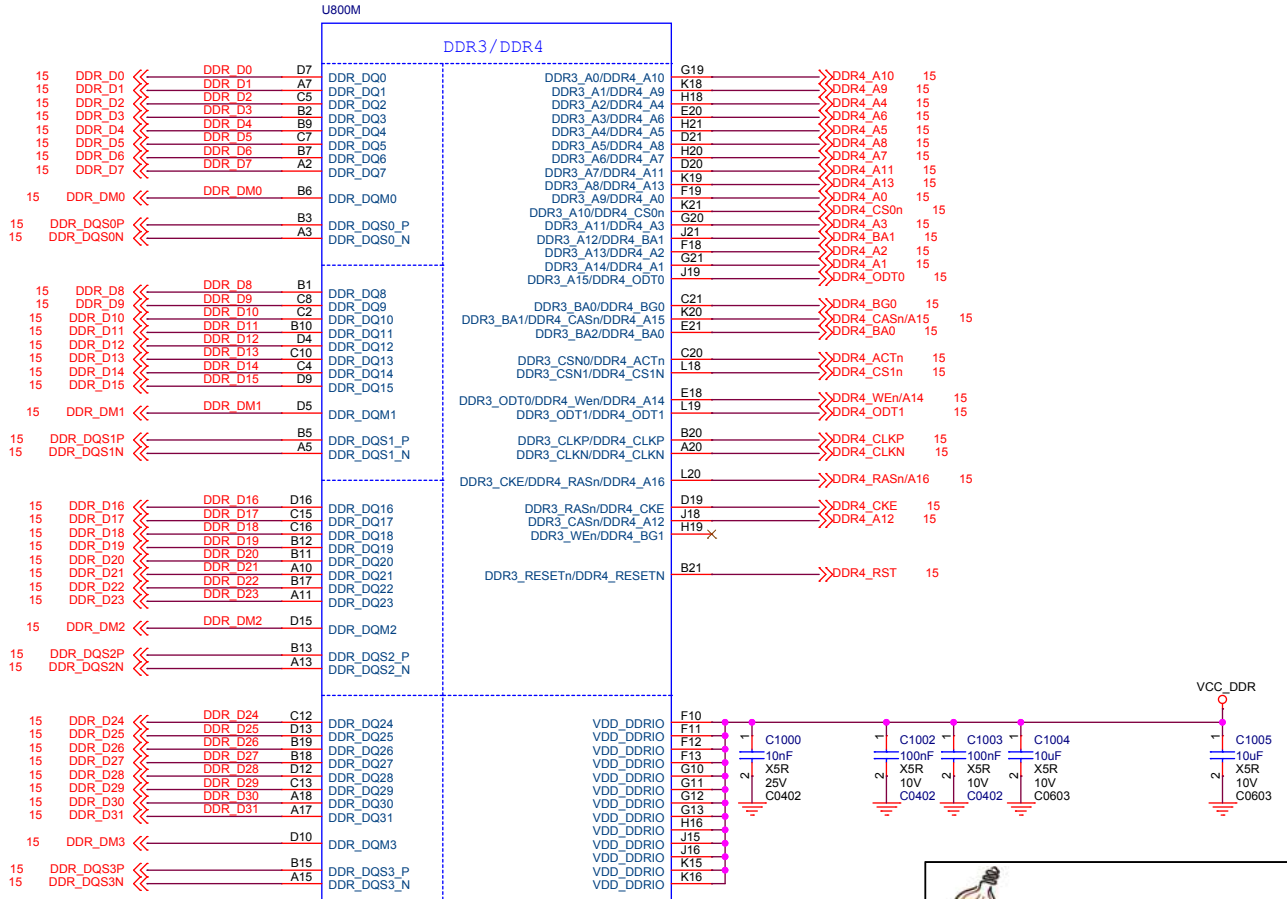


SARADC_IN0 BOM版本	SARADC_IN1 PCB版本	Up阻值	Down阻值	
Recover		DNP	10K	
BOM1		110K	10K	
BOM2		100K	20K	
BOM3		100K	33K	
BOM4		36K	18K	
BOM5		51K	36K	
BOM6		51K	51K	
BOM7		36K	51K	
BOM8		18K	36K	
BOM9		33K	100K	
BOM10		20K	100K	
BOM11		10K	110K	
BOM12		10K	DNP	

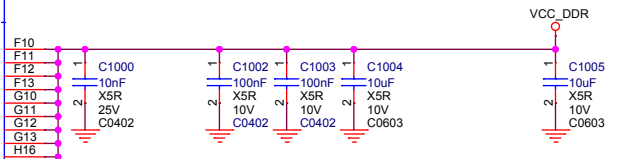


www.t-firefly.com

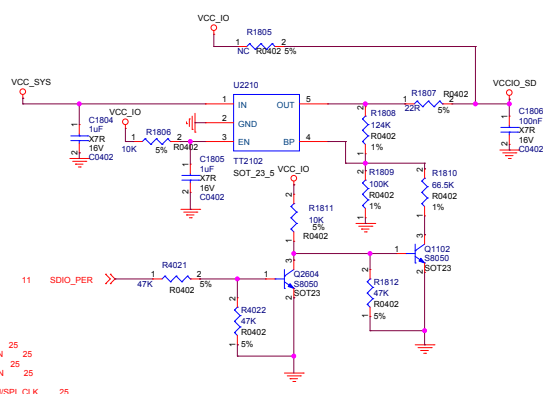
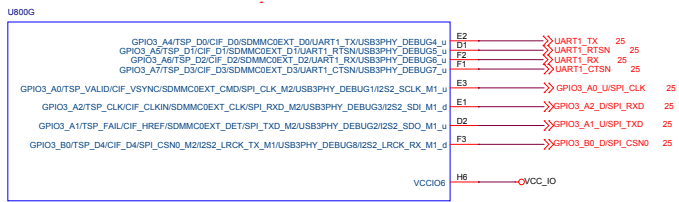
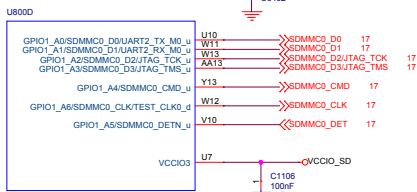
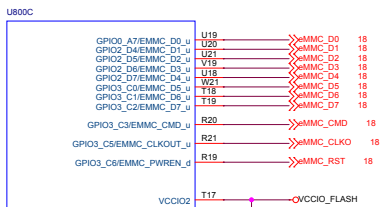
Title: <Title>	
File: <Doc>	REV: <Revcode>
Create Date: Thursday, March 09, 2017	Page Num: 7
Modify Date: Monday, September 25, 2017	Page Total: 25




RK3328
 BGA395_14R00X14R00X1R24

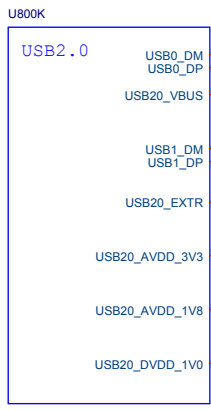


Title: <Title>	
File: <Doc>	REV: <Revcode>
Create Date: Friday, March 17, 2017	Page Num: 8
Modify Date: Monday, September 25, 2017	Page Total: 25



 **www.t-firefly.com**

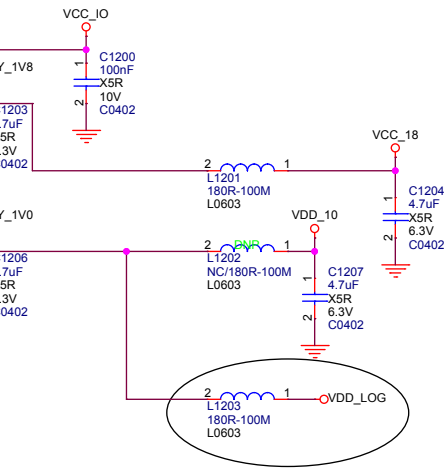
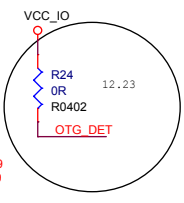
Title: <Title>	
File: <Doc>	REV: <Recode>
Create Date: Thursday, March 09, 2017	Page Num: 9
Modify Date: Tuesday, October 31, 2017	Page Total: 25




RK3328
BGA395_14R00X14R00X1R24



RK3328
BGA395_14R00X14R00X1R24

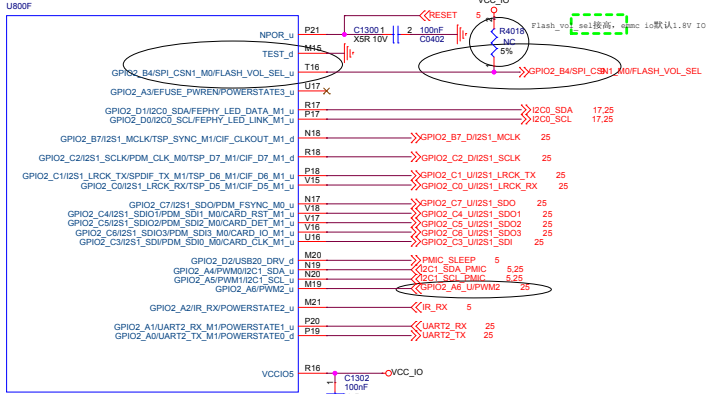


 **www.t-firefly.com**

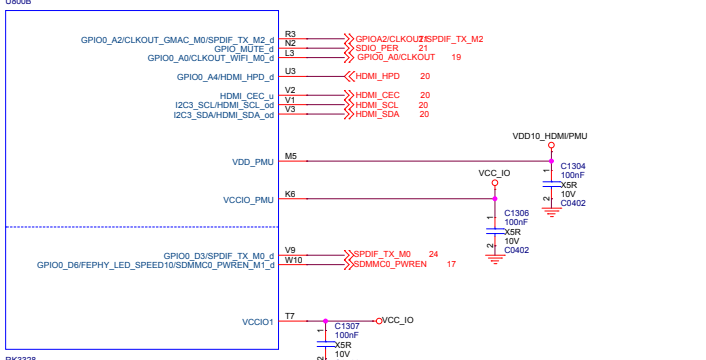
Title: <Title>

File: <Doc> REV: <Revcode>

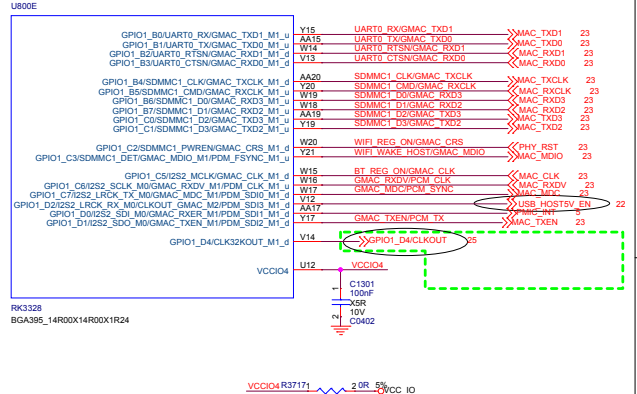
Create Date: Thursday, March 09, 2017	Page Num: 10
Modify Date: Saturday, December 23, 2017	Page Total: 25



RK3328
BGA395_14R00X14R00X1R24



RK3328
BGA395_14R00X14R00X1R24



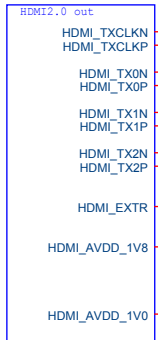
RK3328
BGA395_14R00X14R00X1R24

VCCIO4R3717: 2.0R 5% VCC_IO

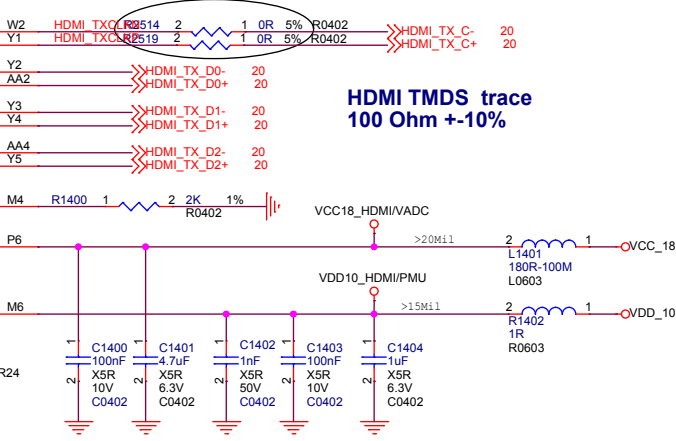
Firefly www.t-firefly.com

Title: <Title>		REV: <Revised>
File: <Doc>		
Create Date: Thursday, March 09, 2017	Page Num: 11	
Modify Date: Friday, July 13, 2018	Page Total: 25	


U8001



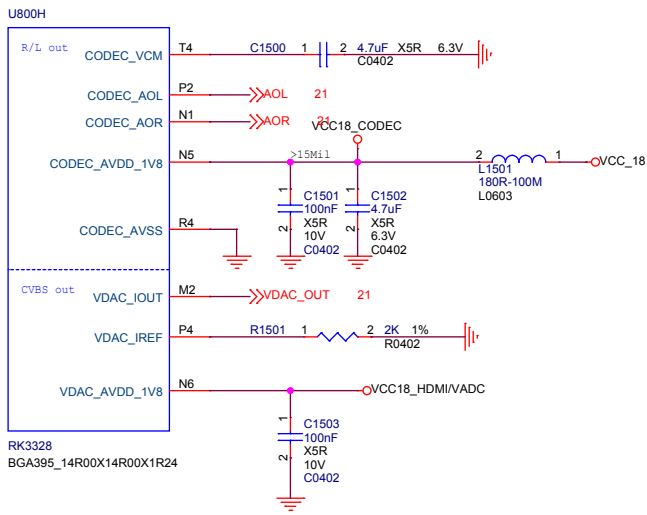
RK3328
BGA395_14R00X14R00X1R24



HDMI TMSD trace
100 Ohm +10%

 **www.t-firefly.com**

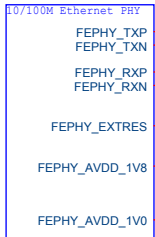
Title: <Title>	
File: <Doc>	REV: <Revcode>
Create Date: Thursday, March 09, 2017	Page Num: 12
Modify Date: Monday, September 25, 2017	Page Total: 25



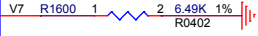
www.t-firefly.com

Title: <Title>	
File: <Doc>	REV: <Revcode>
Create Date: Thursday, March 09, 2017	Page Num: 13
Modify Date: Monday, September 25, 2017	Page Total: 25

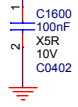
U800J



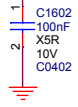
RK3328
BGA395_14R00X14R00X1R24



USB20/FEPHY_1V8



USB20/FEPHY_1V0

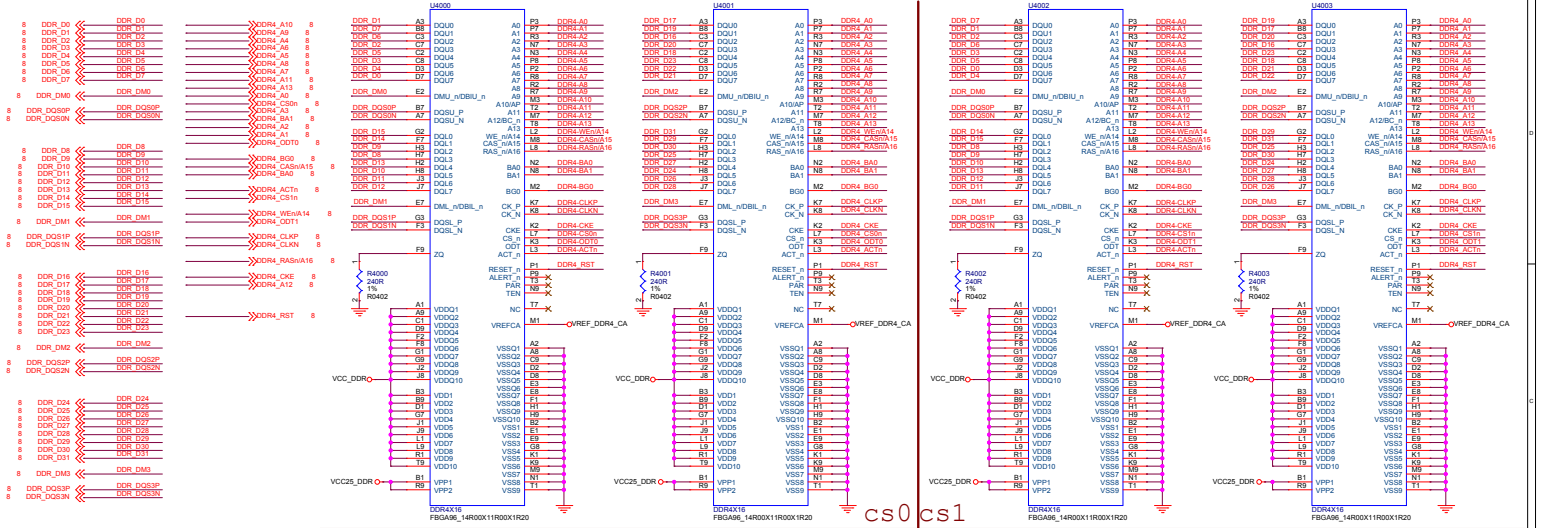


Embed FEPHY

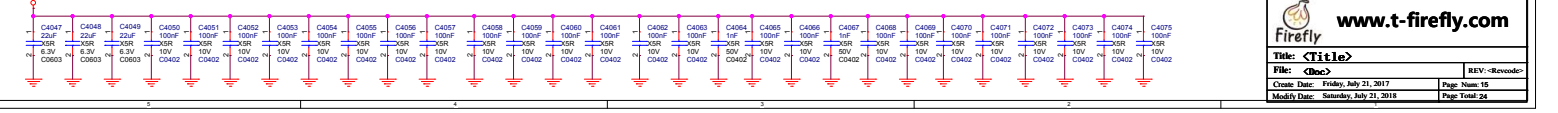
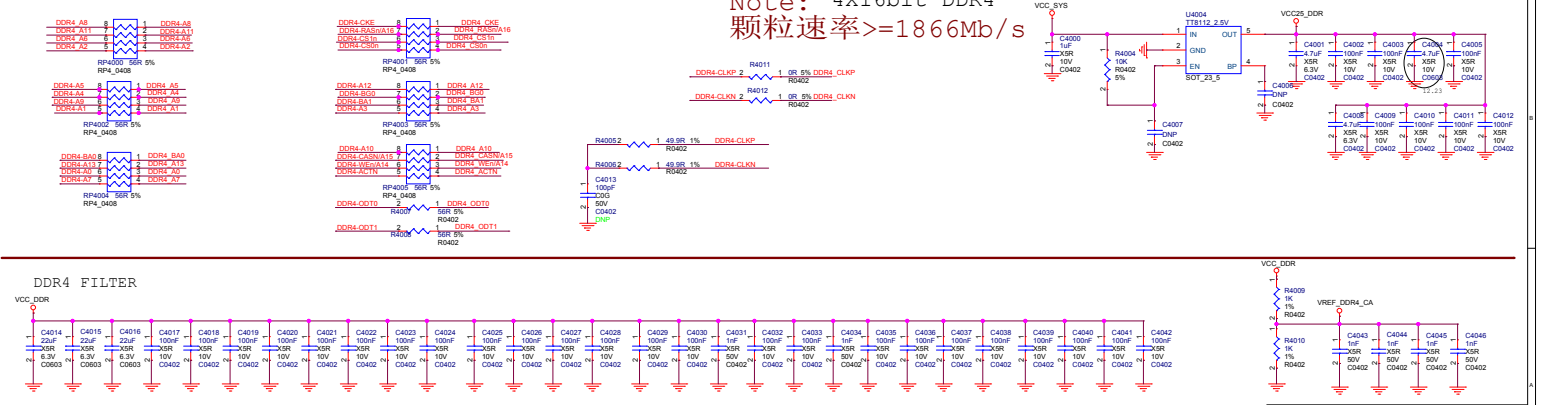


www.t-firefly.com

Title: <Title>	
File: <Doc>	REV: <Revcode>
Create Date: Thursday, March 09, 2017	Page Num: 14
Modify Date: Monday, September 25, 2017	Page Total: 25



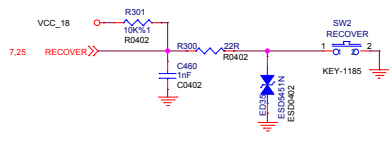
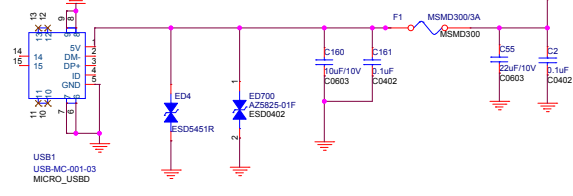
Note: 4X16bit DDR4
颗粒速率 >= 1866Mb/s




www.t-firefly.com

File: <Title>
 Create Date: Friday, July 21, 2017
 Modify Date: Saturday, July 21, 2018
 Page: 1/15
 REV: Revorder
 Page Total: 24

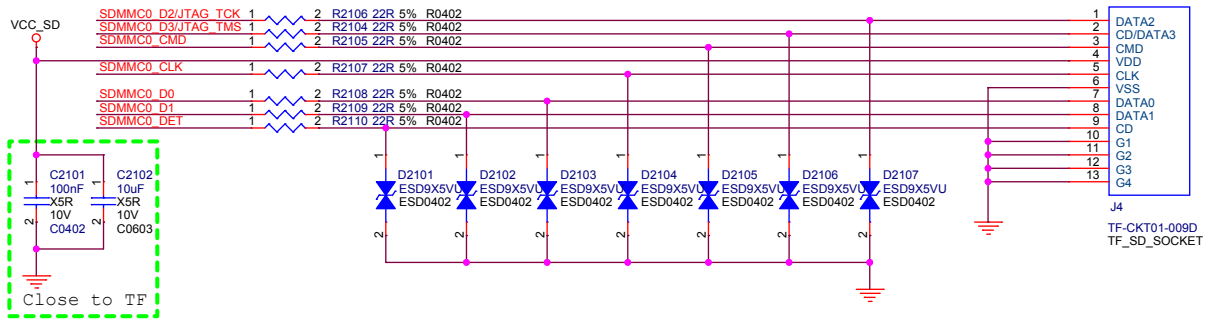
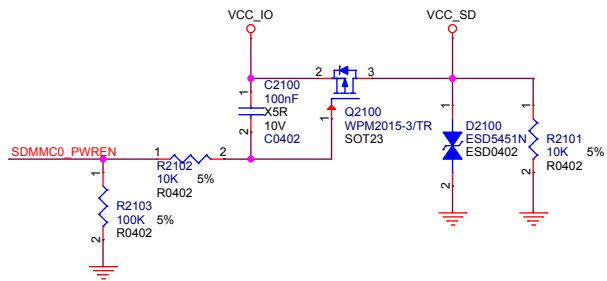
USB 5V



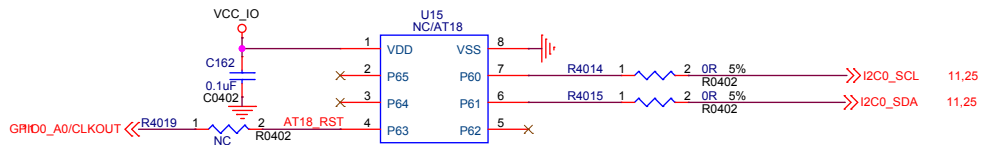

www.t-firefly.com


Title: <Title>	
File: <Doc>	REV: <Recode>
Create Date: Saturday, March 18, 2017	Page Num: 16
Modify Date: Friday, July 20, 2018	Page Total: 24

- >>>SDMMC0_D0 9
- >>>SDMMC0_D1 9
- >>>SDMMC0_D2/JTAG_TCK 9
- >>>SDMMC0_D3/JTAG_TMS 9
- >>>SDMMC0_CMD 9
- >>>SDMMC0_CLK 9
- <<<SDMMC0_DET 9
- >>>SDMMC0_PWREN 11



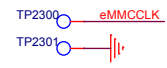
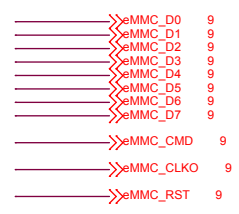
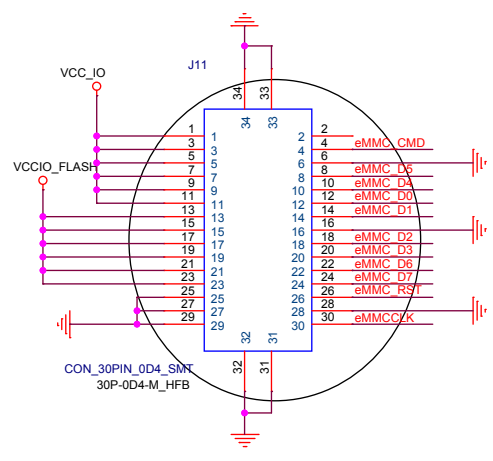
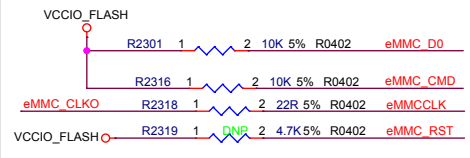
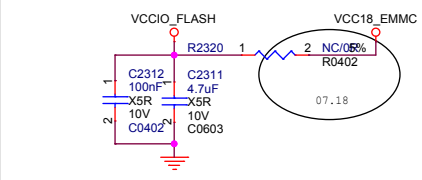
AT18






www.t-firefly.com

Title: <Title>	
File: <Doc>	REV: <Revcode>
Create Date: Thursday, March 09, 2017	Page Num: 17
Modify Date: Thursday, July 12, 2018	Page Total: 24

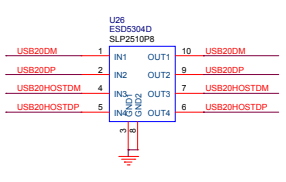
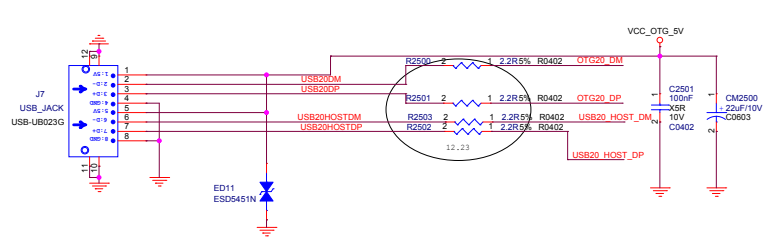
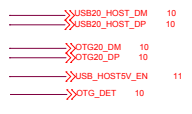
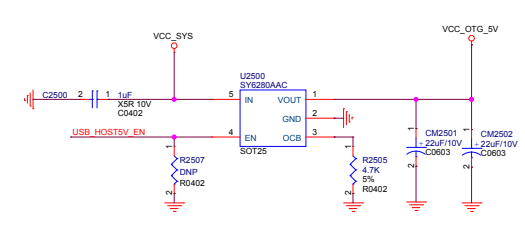



Note:
eMMC Update.



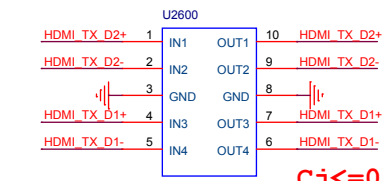
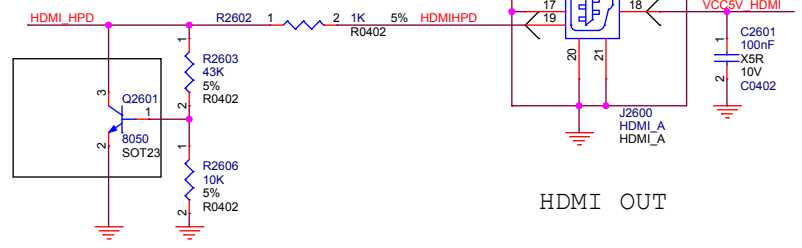
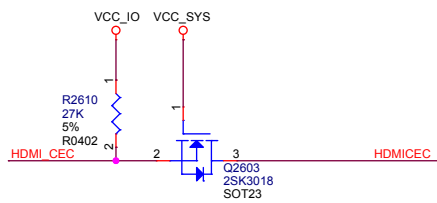
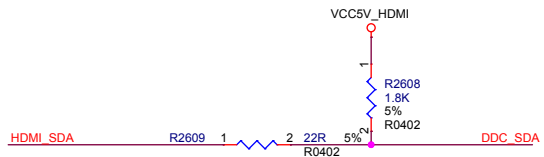
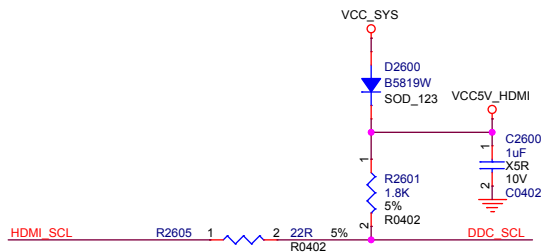
www.t-firefly.com

Title: <Title>	
File: <Doc>	REV: <Revcode>
Create Date: Thursday, March 09, 2017	Page Num: 18
Modify Date: Saturday, August 04, 2018	Page Total: 24

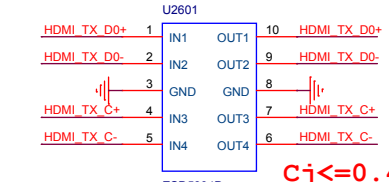



www.t-firefly.com

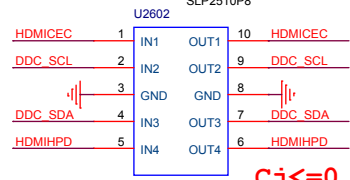
Title: <Title>		REV: <Revcode>
File: <Doc>		
Create Date: Thursday, March 09, 2017	Page Num: 19	
Modify Date: Saturday, August 04, 2018	Page Total: 24	



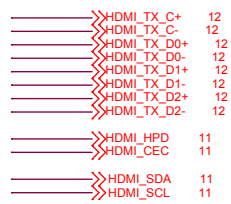
Cj <= 0.4pF



Cj <= 0.4pF



Cj <= 0.4pF

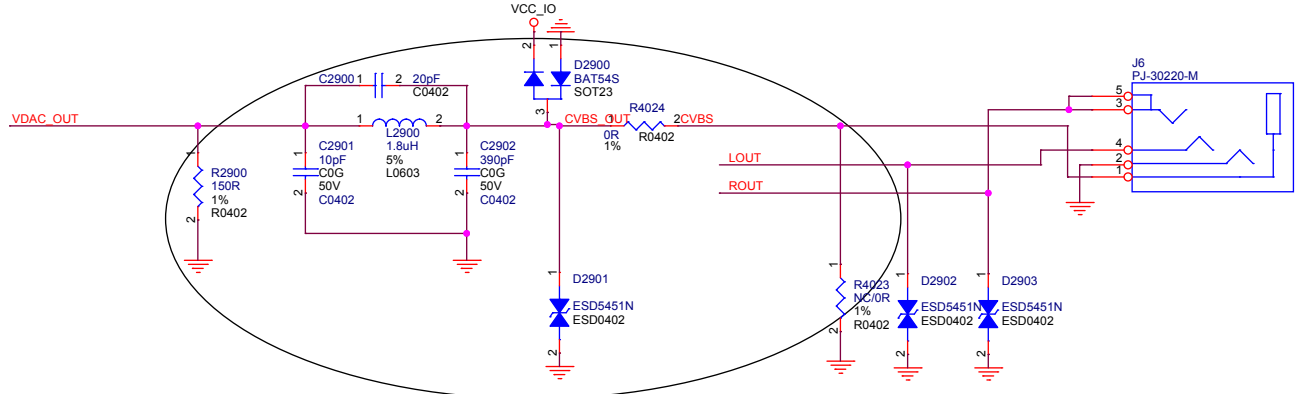


www.t-firefly.com

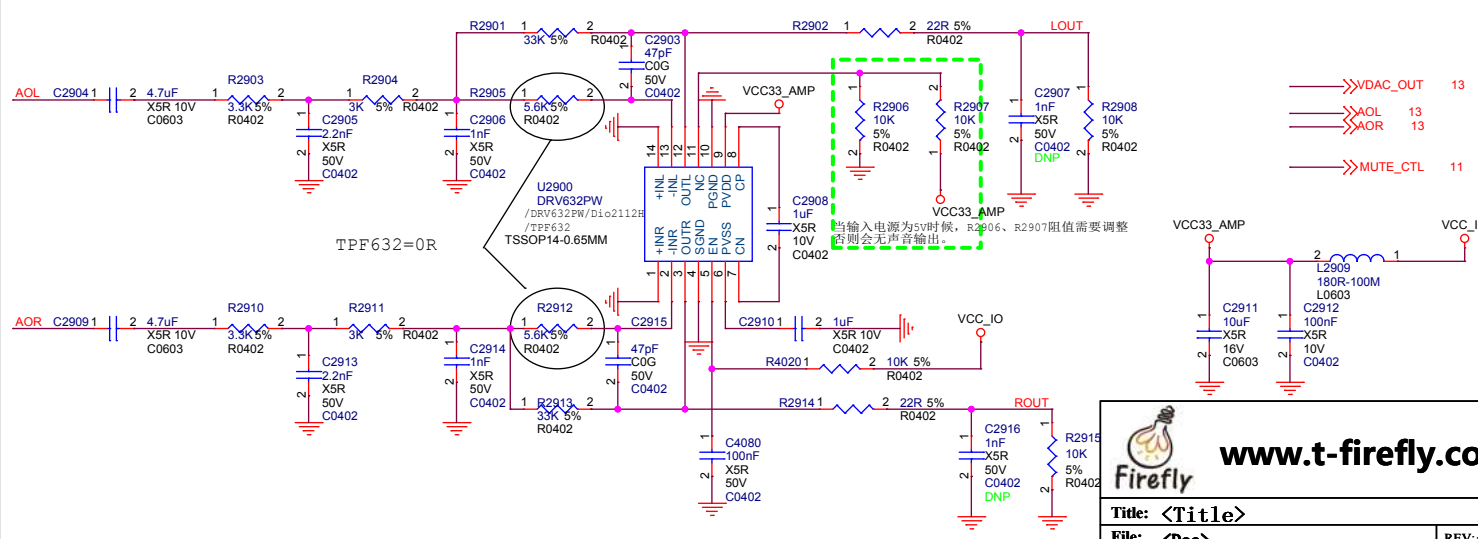
Title: <Title>

File: <Doc> REV: <Revcode>


Create Date: Thursday, March 09, 2017	Page Num: 20
Modify Date: Monday, September 25, 2017	Page Total: 24



AV OUT



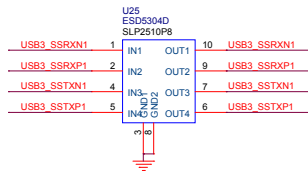
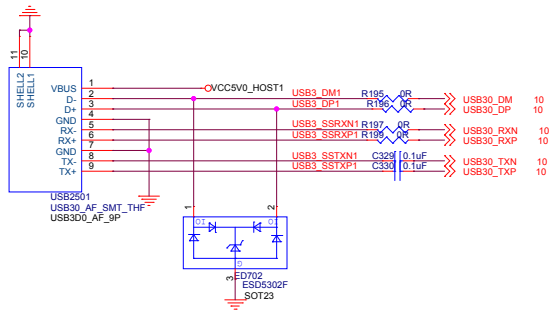
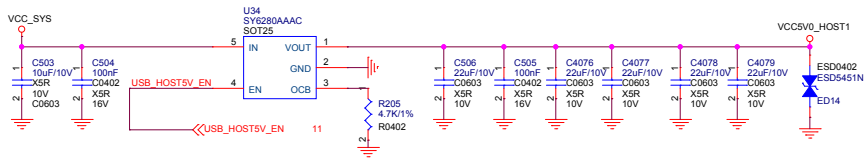
当输入电源为5v时候，R2906、R2907阻值需要调整，否则会导致无声输出。




www.t-firefly.com

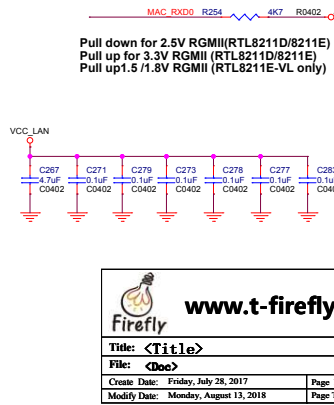
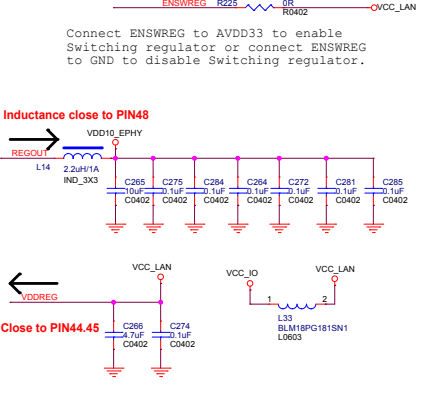
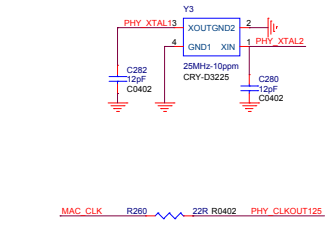
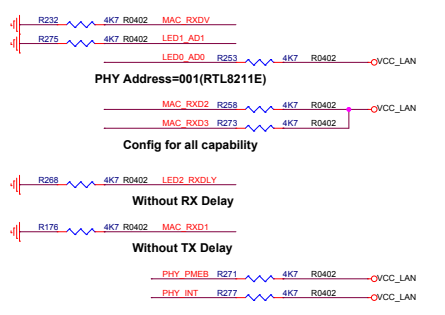
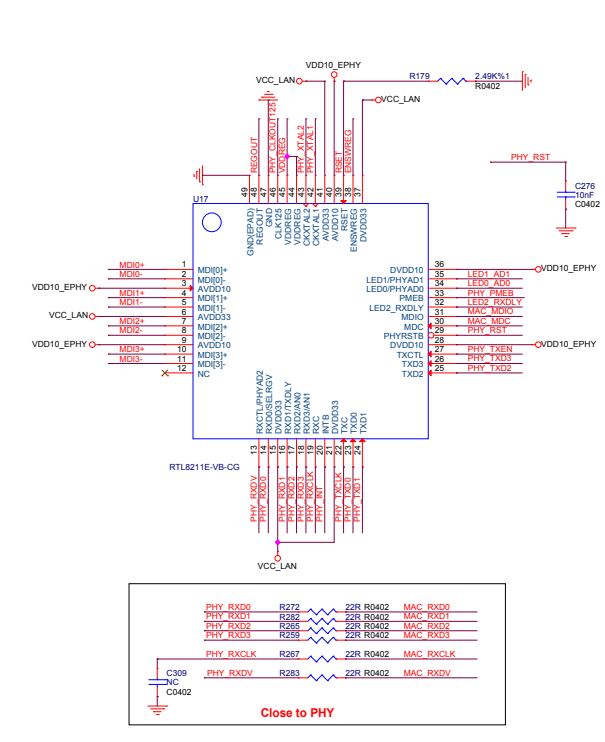
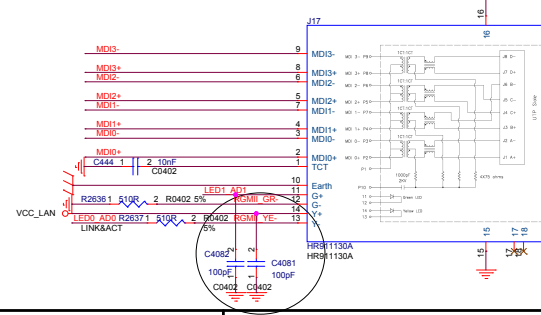
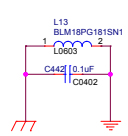
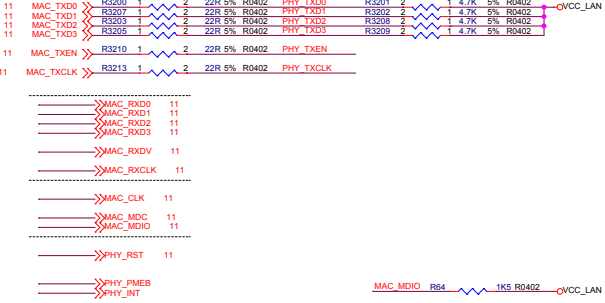
Title: <Title>	
File: <Doc>	REV: <Revcode>
Create Date: Thursday, March 09, 2017	Page Num: 21
Modify Date: Monday, July 23, 2018	Page Total: 24

2-Vrms Audio Line Driver




www.t-firefly.com

Title: <Title>		REV: <Revcode>
Create Date: Tuesday, May 16, 2017	Page Num: 22	
Modify Date: Monday, September 25, 2017	Page Total: 24	



Firefly logo and title block:

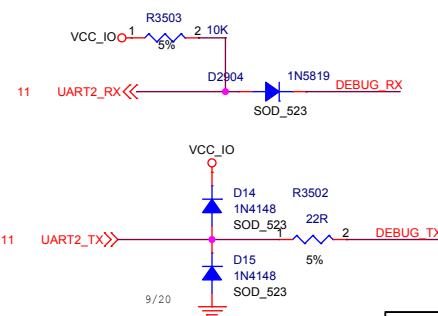
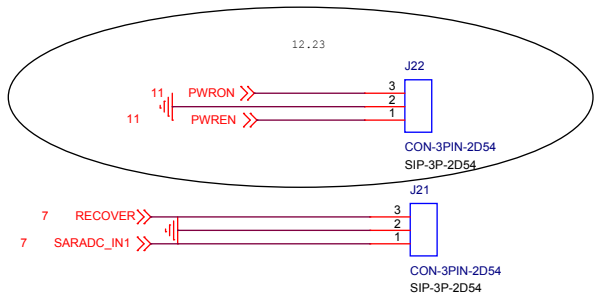
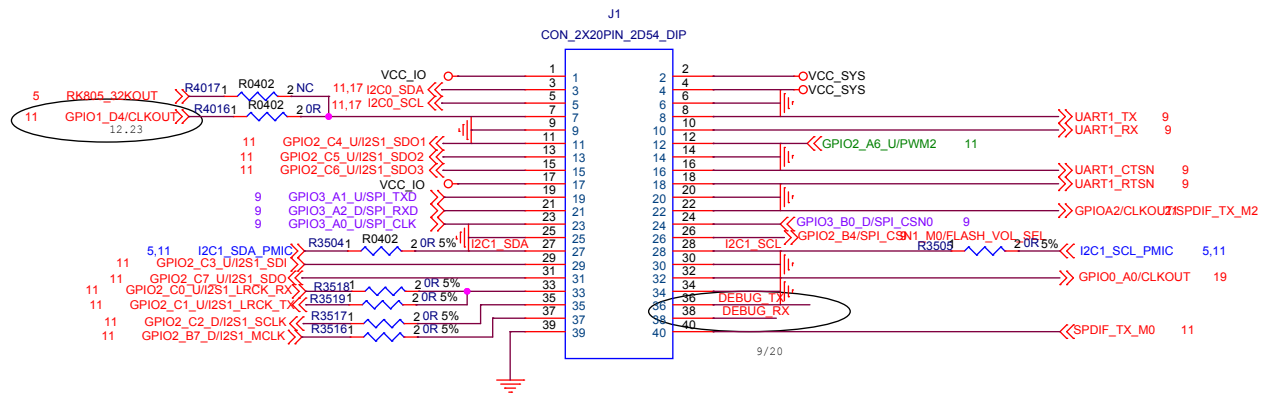
www.t-firefly.com


Title: <Title>

REV: -Revised-

Create Date: Friday, July 28, 2017 Page Num: 23

Modify Date: Monday, August 13, 2018 Page Total: 24




www.t-firefly.com

Title: <Title>	
File: <Doc>	
Create Date: Friday, March 17, 2017	Page Num: 24
Modify Date: Saturday, August 04, 2018	Page Total: 24

REV: <Revcode>