



iHC-3308GW

Industrial 4G Smart Gateway



V1.0 2024-11-4

T-CHIP INTELLIGENCE TECHNOLOGY

Product features



Quad-core IoT processor RK3308B

Rockchip RK3308B IoT processor, with quad-core 64-bit Cortex-A35 core and main frequency up to 1.3GHz, is high-performance and low-power.



Support 4G LTE / NB-IOT / LoRa

The smart gateway supports 4G LTE Cat1 wireless communication module, Supporting NB-IOT communication, it is fast and low-power. It also supports industrial-grade long-distance LoRa communication at 868MHz, and the outdoor line-of-sight communication distance is up to 8km, featuring long-distance communication and high stability, etc.



Support MQTT protocol

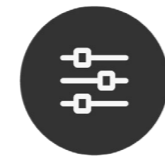
Modbus standard industrial protocol to MQTT protocol is possible; Alibaba Cloud and other private cloud are supported. The smart gateway is suitable for IoT PLC data acquisition and equipment control.

Product features



Buildroot and Ubuntu supported

Supporting Buildroot (Linux) embedded system and Ubuntu 18.04 system, it has characteristics such as strong controllability, stability and reliability, continuous updates, openness and compatibility.



Abundant interfaces

It supports RS485, CAN, RS232 communication modes, and provides relay and optodecoupling isolation I/O, which can meet the needs of different application scenarios.



Various applications

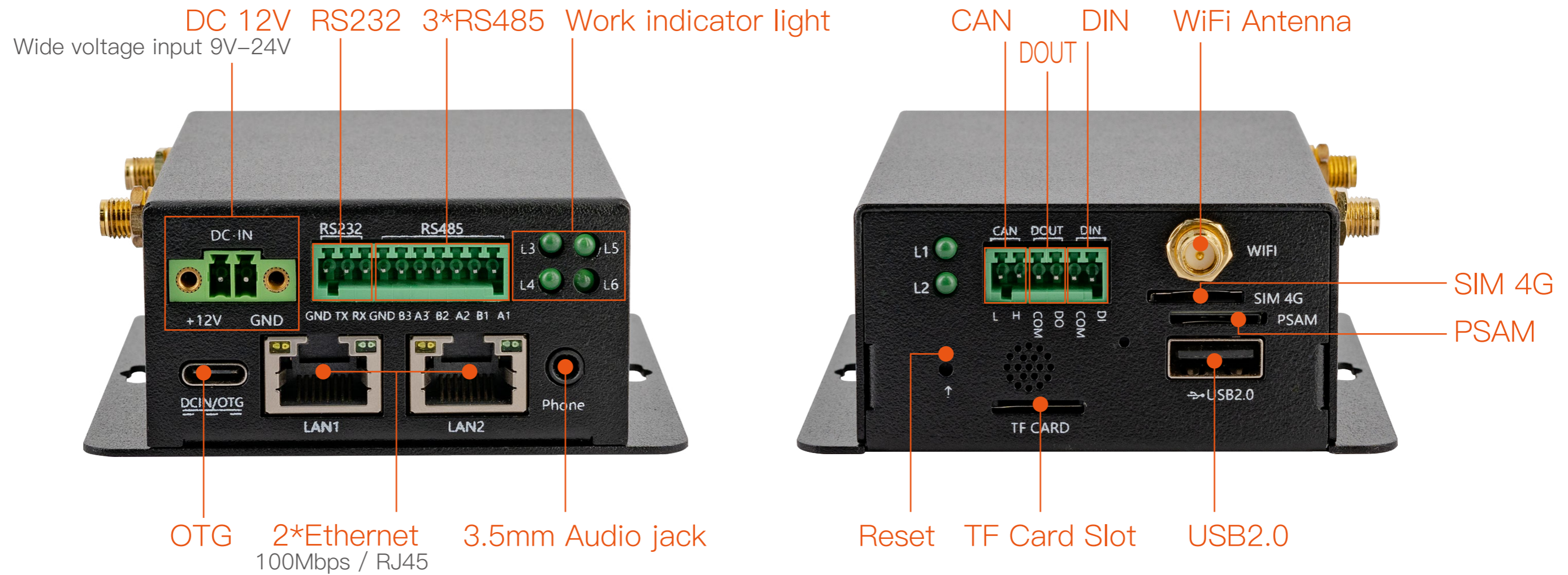
It is widely used in industrial 4G routers, IoT, IoV, smart factories, industrial automation systems, climate and geological monitoring, building access control systems, smart charging pile remote monitoring and other industrial fields.

Specifications

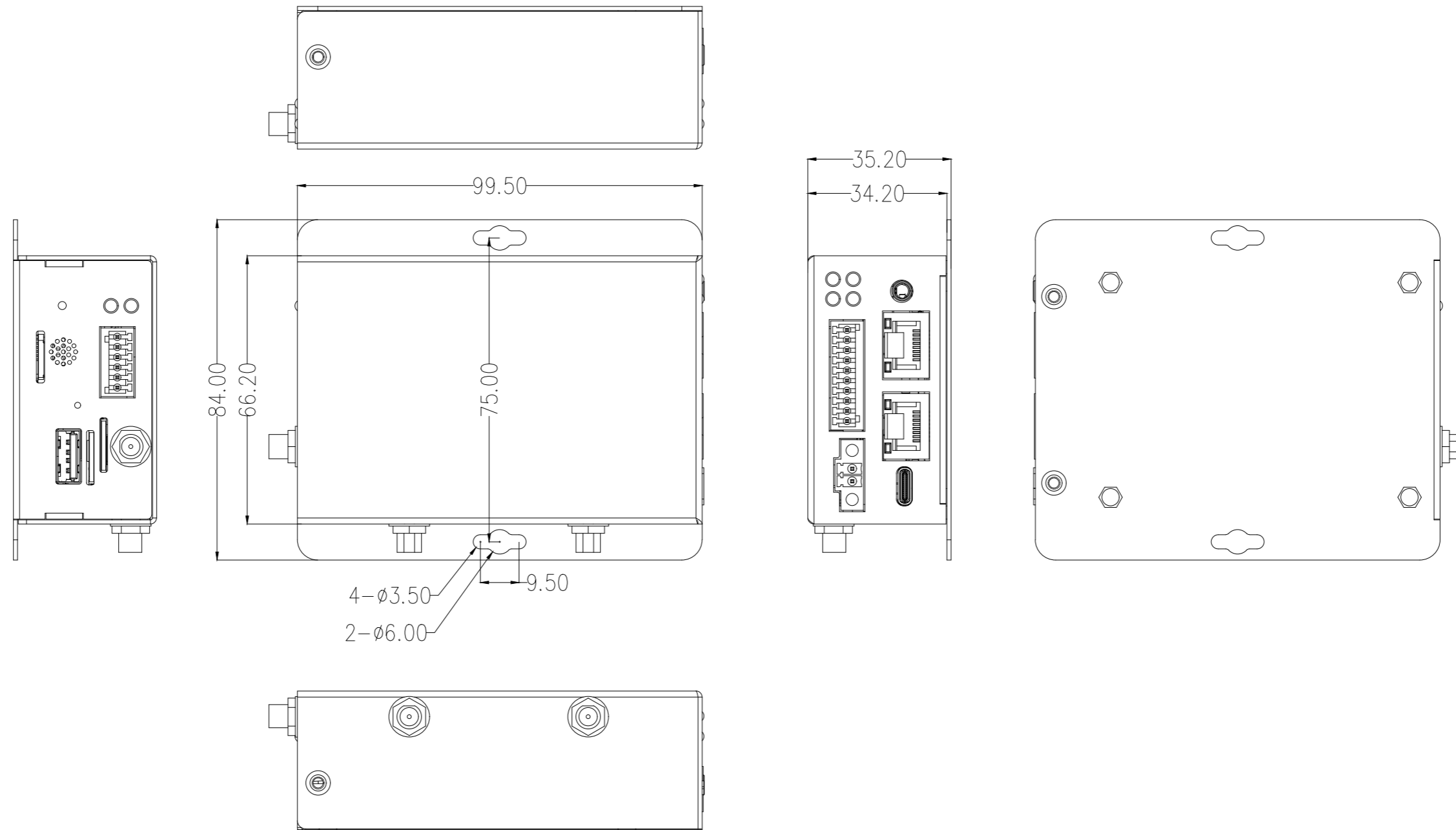


Specifications		
Basic Specifications	SOC	RK3308B
	CPU	Quad-core 64-bit ARM Cortex-A35, up to 1.3GHz
	RAM	256MB DDR3 (128MB ~ 512MB optional)
	Storage	4GB eMMC (4GB/8GB/16GB/32GB/64GB/128GB optional)
	Storage Expansion	1 × TF Card
	Power	DC 12V (Support wide voltage 9V~24V input)
	Power consumption	Normal: 1.32W(12V/110mA), Max: 3W(12V/250mA)
	OS	Buildroot (Linux) embedded system, Ubuntu
	Dimension	99.5 mm × 84 mm × 35.2 mm
	Environment	Operating Temperature: -20°C ~ 60°C, Storage Temperature: -20°C ~ 70°C, Operating humidity: 10% ~ 90% (non-condensing)
Interface Specifications	Ethernet	2 × Ethernet (RJ45/100Mbps)
	wireless	2.4GHz single-band WiFi(802.11/b/g/n), 4G LTE (optional), NB-IOT (optional), LoRa (optional)
	Wireless communication	Supports 4G LTE Cat1 wireless communication module, which can realize seamless connection to any operator's 4G network; Supports NB-IOT communication, global frequency band B1/B3/B5/B8/B20/B28 and so on, fast and low-power; Supports industrial-grade long-distance LoRa communication at 868MHz, and the outdoor line-of-sight communication distance is up to 8km, high stability.
	MQTT Protocol	Supports Modbus standard industrial protocol to MQTT protocol; Supports Alibaba Cloud and other private cloud; Suitable for IoT PLC data acquisition and equipment control.
	USB	USB2.0 × 1, Type-C (OTG) × 1
	Audio	1 × 3.5mm Audio jack
	Other interfaces	1 × RS232, 3 × RS485, 1 × CAN, 1 × DIN, 1 × DOUT, 1 × PSAM, 1 × SIM Card(4G)

Interface description



Dimension





T-CHIP INTELLIGENCE TECHNOLOGY



Contact Us
(+86)18688117175



E-mail
global@t-firefly.com



Website
<https://en.t-firefly.com/>



Address
Room 2101, Hongyu Building, #57 Zhongshan 4Rd, East District,
Zhongshan, Guangdong, China.