



EC-A3288C

▮ Quad-core Mini Embedded Computer



V1.3 2024-7-22

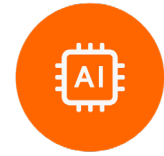
T-CHIP INTELLIGENCE TECHNOLOGY

Product features



Quad-core High-Performance Processor

EC-A3288C adopts RK3288 quad-core Cortex-A17 processor, frequency up to 1.8GHz, integrated quad-core Mali-T764 GPU, with powerful multi-thread computing and graphics processing capability, and the performance is stable and reliable.



Powerful Hardware Decoding Capability

It supports 4K hardware decoding and can achieve 4Kx2K H.264 and H.265 video hardware decoding, compatible with mainstream 5~100 inch display and supports the dual-screen identical/differential display.



Multiple network connection methods

Support for Gigabit Ethernet (RJ45)
Onboard WIFI/BT module supports single-band WiFi 2.4GHz scalable 3G/4G mobile communication capability.
Support WCDMA, EVDO, and 4G full Netcom



Excellent Industrial Applicability

Compact and space-saving design supports multiple installation modes, with RS232(Hardware flow control) and RS485 interfaces, allowing convenient connecting to various industrial equipment.

Product features



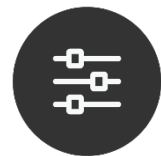
Efficient Fanless Cooling Design

Adopts fanless aluminum alloy structure for high-efficiency cooling, which is dustproof, shockproof and anti-interference, and supports 60°C high-temperature aging, 7x24 stable work.



Support for multiple operating systems

It supports a variety of operating systems: Android, Ubuntu, and Linux, making the system safe and stable to meet the needs of different scenarios.



Abundant expansion interfaces

Rich expansion interfaces: equipped with HDMI 2.0, LAN, RS485, RS232, USB 2.0, TF Card and other interfaces.



Open SDK

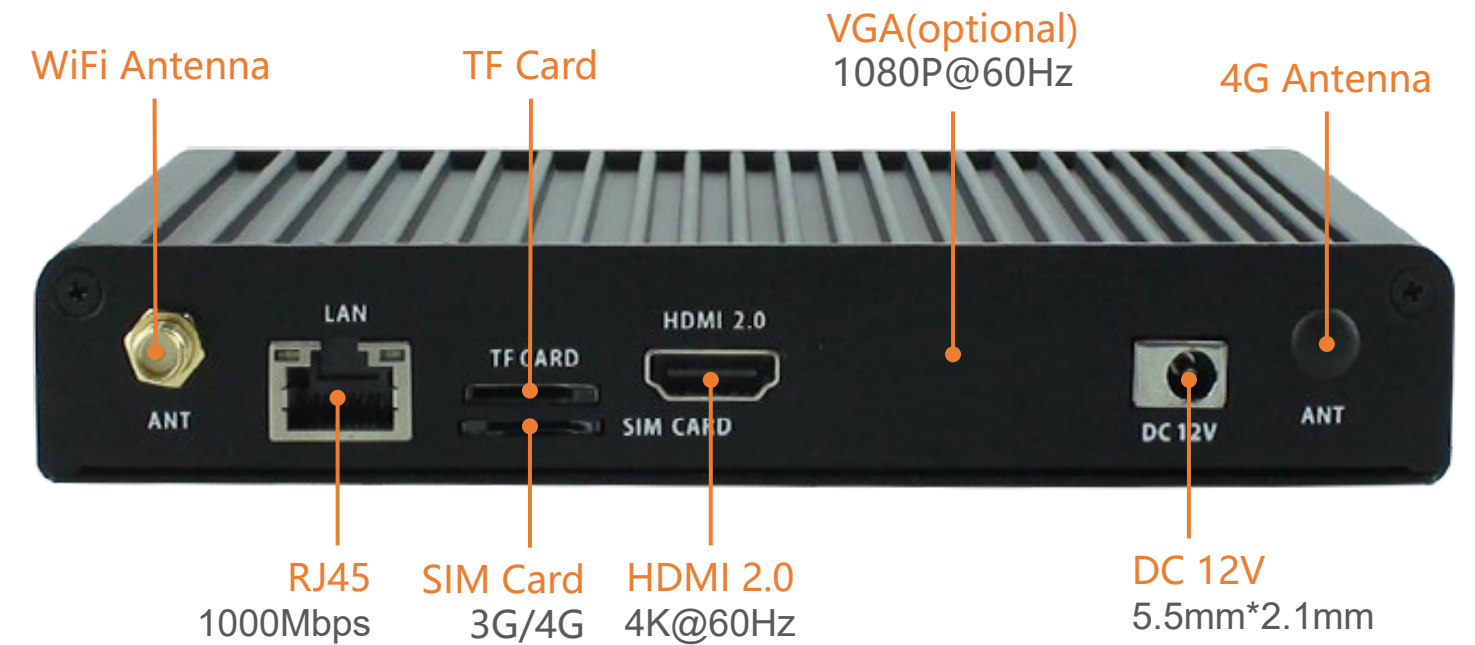
Open SDK, tutorials, technical materials and development tools to make development easier and more convenient.

Specifications

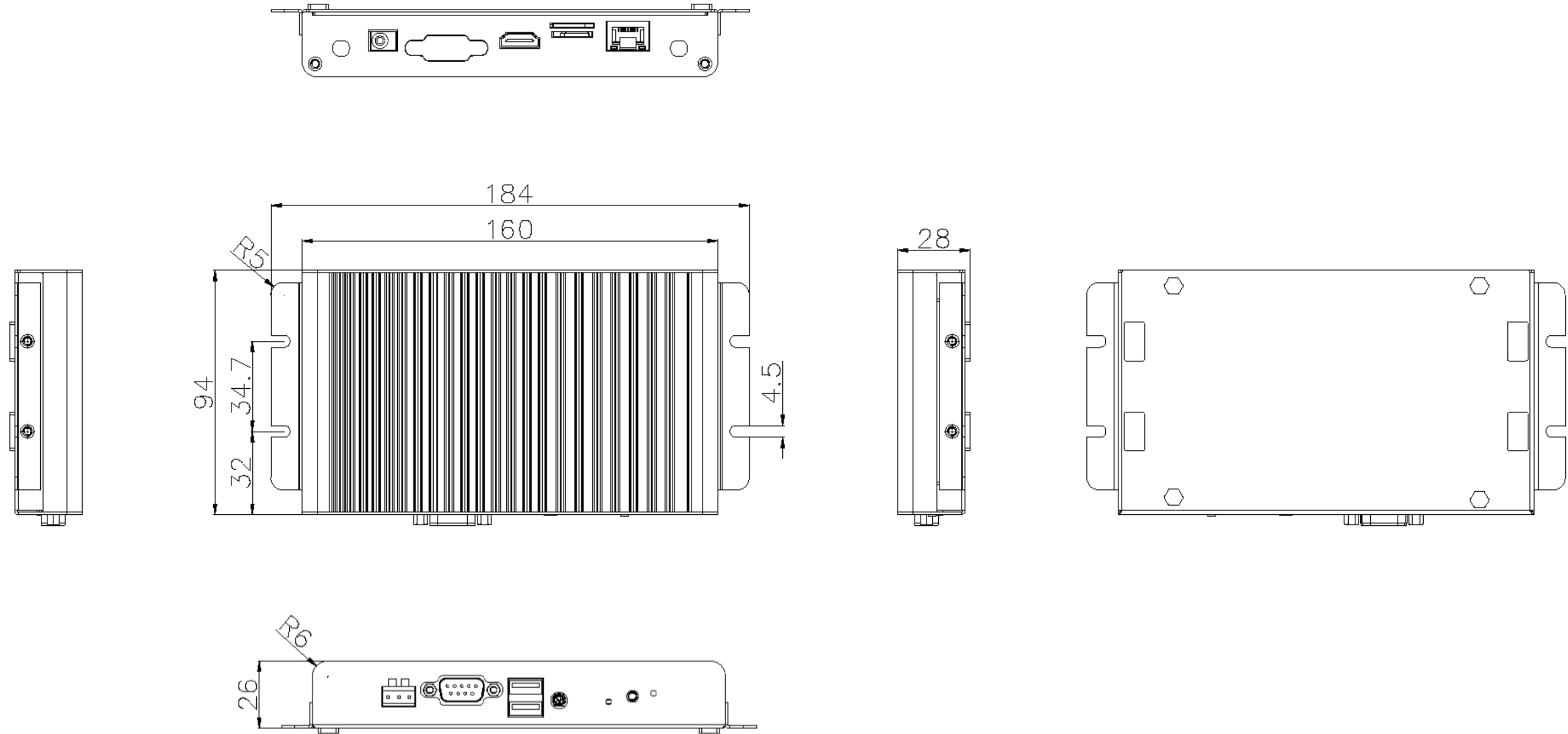


Specifications		
Basic Specifications	SOC	Rockchip RK3288
	CPU	Quad-core Cortex-A17, frequency up to 1.8GHz
	GPU	Mali-T764 GPU, support AFBC (Frame Buffer Compression) , support OpenGL ES 1.1/2.0/3.1, OpenCL, DirectX9.3, Embedded high-performance 2D acceleration hardware
	Decoding/Encoding	Video decoding: 4K60fps 10bits VP9/H265/H264, 1080P Multi-format video decoding(VC-1, MPEG-1/2/4, VP8) Video encoding: 1080P(H.264, VP8) Video post processor: deinterlacing, denoising, edge/ detail/ color optimization
	RAM	2GB dual channel DDR3
	Storage	8GB eMMC 5.1
	Storage Expansion	1 * TF Card
	OS	Android, Linux, Ubuntu
	Power	DC 12V(5.5mm * 2.1mm)
	Power consumption	Normal: 2.4W(12V/200mA), Max: 7.2W(12V/600mA)
	Size	184mm * 94mm * 28mm
Environment	Operating Temperature: -20°C ~ 60°C, Storage Temperature: -20°C ~ 70°C, Storage Humidity: 10% ~ 90%RH(non-condensing)	
Interface Specifications	Internet	Ethernet: 1 * RJ45(1000Mbps) WiFi: Support single-band WiFi 2.4GHz, support 802.11 b/g/n protocol, support Bluetooth 4.2 4G/3G: Expand 3G/4G mobile communication through Mini PCIe (internal host) and SIM port, support WCDMA, EVDO, and 4G full Netcom
	Video output	1 * HDMI2.0(4K@60Hz, support HDCP 1.4/2.2) 1 * VGA(1080P@60Hz) (Optional) Support dual-screen simultaneous display/dual-screen different display
	Audio output	1 * 3.5mm Audio jack(Supports MIC recording, American standard CTIA)
	USB	2 * USB2.0(Lower USB supports OTG)
	Other interfaces	1 * RS232(with hardware flow control), 1 * RS485

Interface description



Dimension





T-CHIP INTELLIGENCE TECHNOLOGY



Contact Us
(+86)18688117175



E-mail
global@t-firefly.com



Website
<https://en.t-firefly.com/>



Address
Room 2101, Hongyu Building, #57 Zhongshan 4Rd, East District,
Zhongshan, Guangdong, China.