



# CSR2-N72R3399

| 2U ARM Cluster servers

V1.0 2024-2-26

T-CHIP INTELLIGENCE TECHNOLOGY



# Product features



## High-density and powerful

The server can be equipped with up to 72 pieces of 6-core 64-bit core board RK3399 , with up to 432 cores of edge computing power and up to 1.8GHz of every core board's frequency. When fully equipped, it can be 72 real Linux cloud computers or 72 Android cloud phones; and it supports Android virtualization – to virtualize a large number of Android phones.



## Flexible hardware configuration

It can be configured with any number and any type of core boards of Firefly JD4 series – customized core boards are also available. AI accelerator module with up to 2.8T computing power can be equipped in every core board. Two 3.5-inch hard drives are optional for expansion.



## Stable and reliable redundant design

The power supply, fan, network and storage modules are all with redundant design, realizing independent watchdog, real-time temperature measurement, automatic troubleshooting, parallel recovery and so on, ensuring stable and reliable operation of the server.

# Product features



## Safe and high-speed networking

Owning two 10GbE ports, the server can be connected to broadband of two different operators. Supporting network isolation, link aggregation, network load balancing and flow control, it ensures the security and reliability of the network communication.



## BMC remote management system

With BMC remote management system, it achieves real-time monitoring, software configuration, hardware management, troubleshooting and system upgrade. The system supports customized development.



## Supports various operating systems

It has a lot of usage scenarios – cloud phone, virtual desktop, cloud gaming, cloud storage, blockchain, multi-channel video decoding, app cloning and so on.



## Wide range of application scenarios

It has a lot of usage scenarios – cloud phone, virtual desktop, cloud gaming, cloud storage, blockchain, multi-channel video decoding, app cloning and so on.

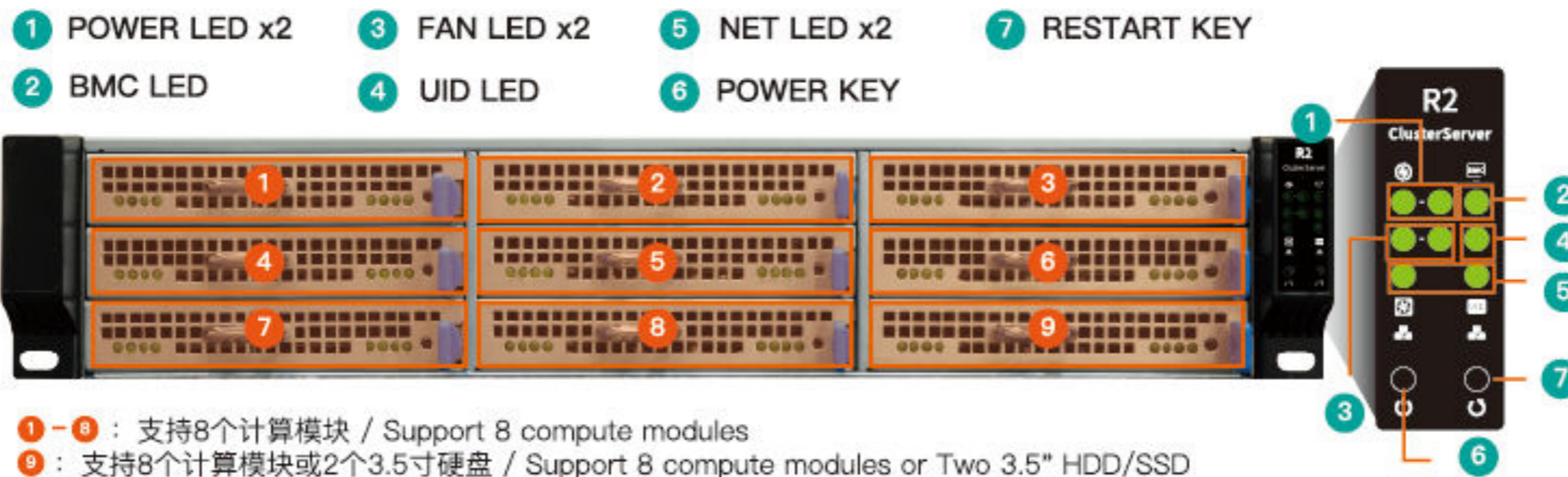
# Specifications



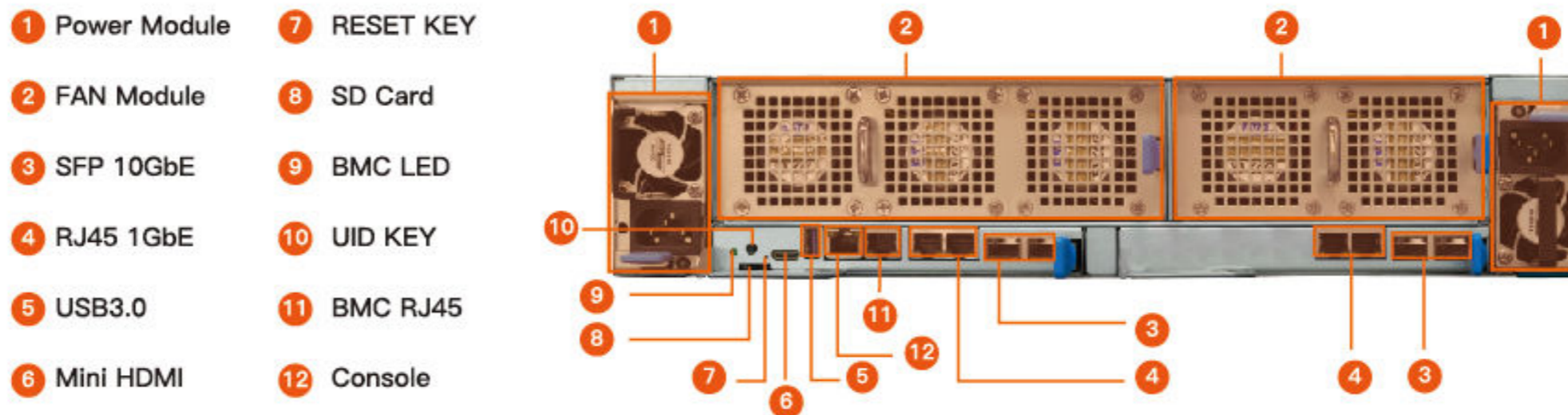
	Specification
Product name	2U Cluster servers
Product model	CSR2-N72R3399
Framework	ARM architecture
Number of nodes	9 blade nodes, each configurable with 8 compute modules, and node 9 can also be used to install 2 3.5" SATA/SSD drives (hot-swappable)
Number of cores	Up to 72 compute modules (432 total ARM cores)
Core board	RK3399(AI) Core Board (Core-3399-JD4): Hexa-core 64-bit processor, up to 1.8GHz / onboard NPU, up to 2.8 Tops (optional) RK3328 Core Board (Core-3328-JD4): Quad-core 64-bit A53 processor, up to 1.5GHz / support 4K/1080P H.265/H.264 video hardware codec RK1808(AI) Core Board (Core-1808-JD4): Dual-core 64-bit A35 processor, up to 1.6GHz / integrated NPU, up to 3.0 Tops
CPU	Compute node: RK3399 Hexa-core (A72 * 2 + A53 * 4) 64-bit processor, maximum frequency 1.8GHz, maximum NPU computing power 2.8Tops Control node: RK3399 Hexa-core (A72*2+A53*4) 64-bit processor, up to 1.8GHz
RAM	Supports 4GB DDR3 / DDR4 / LPDDR4 memory (optional per core board: 1GB / 2GB / 4GB)
Storage	Supports 32GB eMMC internal memory (optional per core board: 8GB/16GB/32GB/64GB/128GB) 3.5-inch SATA/SSD drive bay x2 (Node 9) with hot-swappable support SD card slot x1
BMC	Integrated BMC management system, providing a web-based management interface, BMC management system can be redeveloped
Internet	It can access multiple operator networks at the same time, supports internal and external network isolation, physical port binding aggregation, network load balancing, traffic restriction dual network card redundancy design (can realize internal and external network isolation), single network card integration: Gigabit network port (RJ45) x2, 10 Gigabit network port (SFP+) x2, BMC network interface x1, Console debugging interface x1
Display	1 * Mini HDMI 2.0, 4K@60Hz(Control motherboard display)
USB	1 * USB3.0 HOST
Light	Control motherboard working status indicator: 1 single daughter board (node) 1 status indicator for each core board, a total of 8 LED indicators, there are 8 indicators at the armrest, which respectively represent: fan 1, fan 2, switch module 1, switch module 2, UID identification, BMC work indicator, switching power supply 1, switching power supply 2
keystroke	Reset x1、UID button x1
Fan module	A total of 2 sets of fan modules: Fan Module 1 (3*2 redundant fan design), Fan Module 2 (2*2 redundant fan design)
operating system	Android, Ubuntu, Linux
Power module	Dual-channel redundant power supply design: AC 100~240V 50/60Hz, 1300W/800W optional
Size	Standard 2U Server Chassis: 580mm * 434mm * 88.8mm
Working environment	Operating Temperature:0°C - 35°C Operating Humidity:8%~95%RH(non-condensing)

# Interface description

## Front View



## Back View



# Dimension





## T-CHIP INTELLIGENCE TECHNOLOGY

---



Contact Us  
(+86)18688117175



E-mail  
[global@t-firefly.com](mailto:global@t-firefly.com)



Website  
[www.t-firefly.com](http://www.t-firefly.com)



Address  
Room 2101, Hongyu Building, #57 Zhongshan 4Rd, East District,  
Zhongshan, Guangdong, China.