

T-CHIP TECHNOLOGY

EC-R3328PC

Quad-core 64-bit Mini Embedded Computer

V1.0



T-CHIP INTELLIGENCE TECHNOLOGY CO.,LTD.
www.t-firefly.com

Update history

Version	Date	Details
V1.0	2020-09-24	Original version

Directory

1. Overview.....	4
2. Technical Parameter.....	5
3. PCB Size.....	6
4. Interface Describe.....	7
5. About us	8

1. Overview

It is a miniature and high-performance embedded computer which is equipped with Rockchip RK3328 quad-core Cortex-A53 64-bit processor, supports multiple operating systems and the performance is stable and reliable, and with powerful hard decoding capability and rich expansion interface.



1. Quad-core 64-bit Processor

It's equipped with RK3328 quad-core Cortex-A53 64-bit processor, frequency up to 1.5GHz, built-in quad-core Mali-450 GPU which with powerful graphics processing capabilities, and supports OpenGL ES1.1/2.0, OpenVG1.1.

2. Powerful Hardware Decoding Capability

It supports 4K VP9, 4K 10bits H265/H264 video decoding, up to 60fps, and supports 1080P (VC-1, MPEG-1/2/4, VP8) multi-format video decoding, 1080P H.264/H.265 format video encoding.

3. Support For Multiple OS

It can run Android, Ubuntu, Linux+QT operation systems, the performance is stable

4. Mini Embedded Computer

It adopts the high-quality metal case which is efficient heat dissipation, dustproof and shockproof, compact and portable.

5. Open SDK

Open SDK, tutorials, technical materials and development tools to make development easier and more convenient..

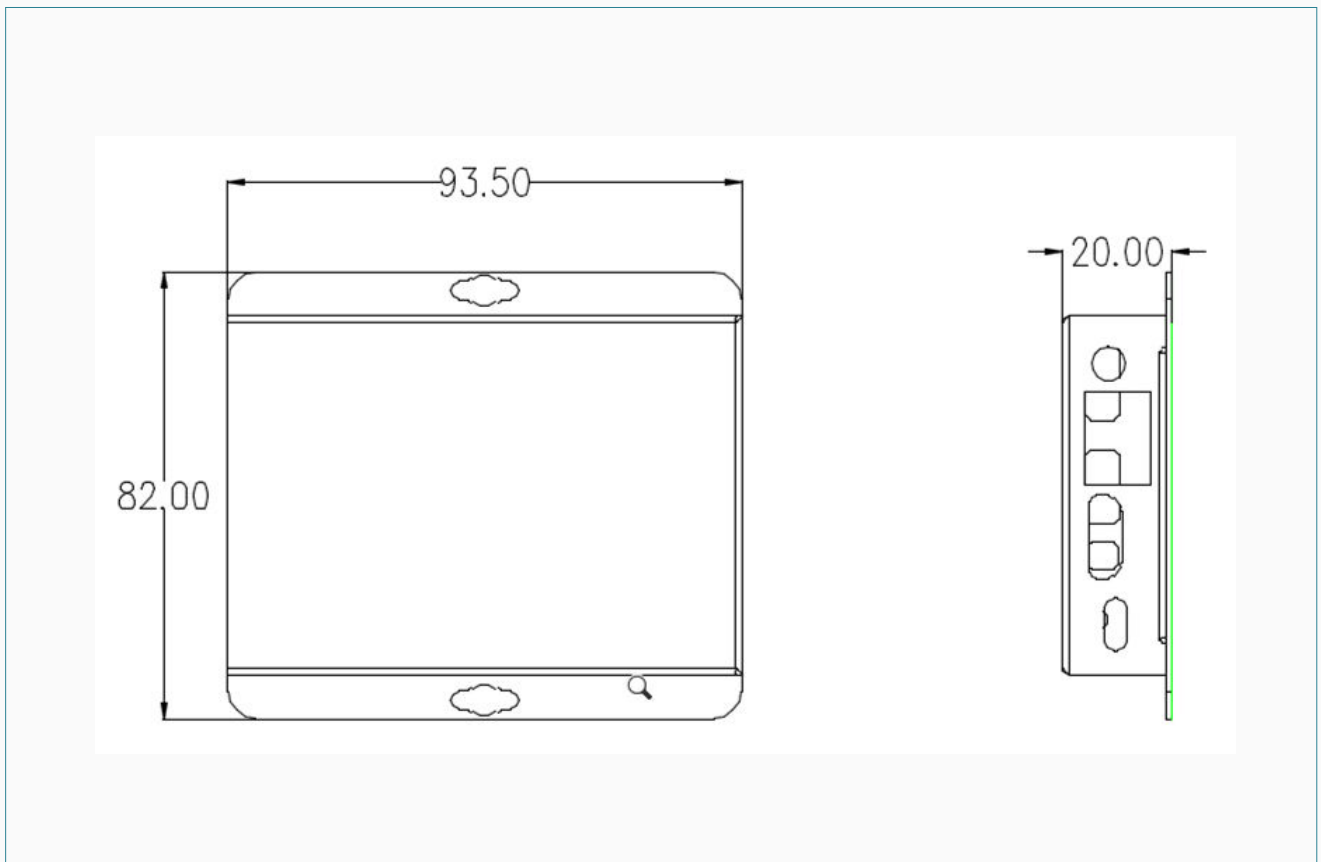
6. Rich Expansion Interface

With USB3.0, I2C, GPIO, I2S, 26Pin and other expansion interfaces.

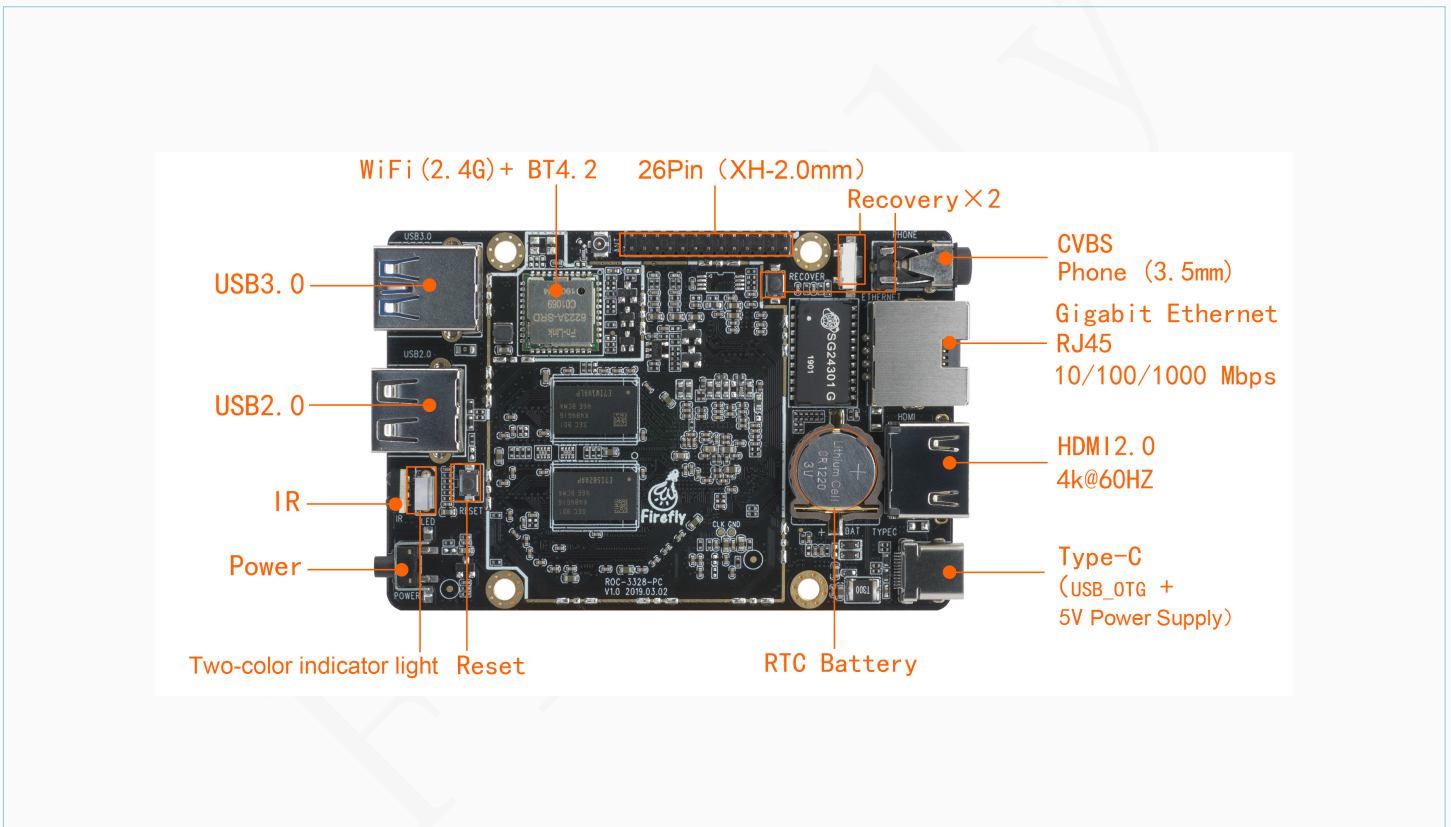
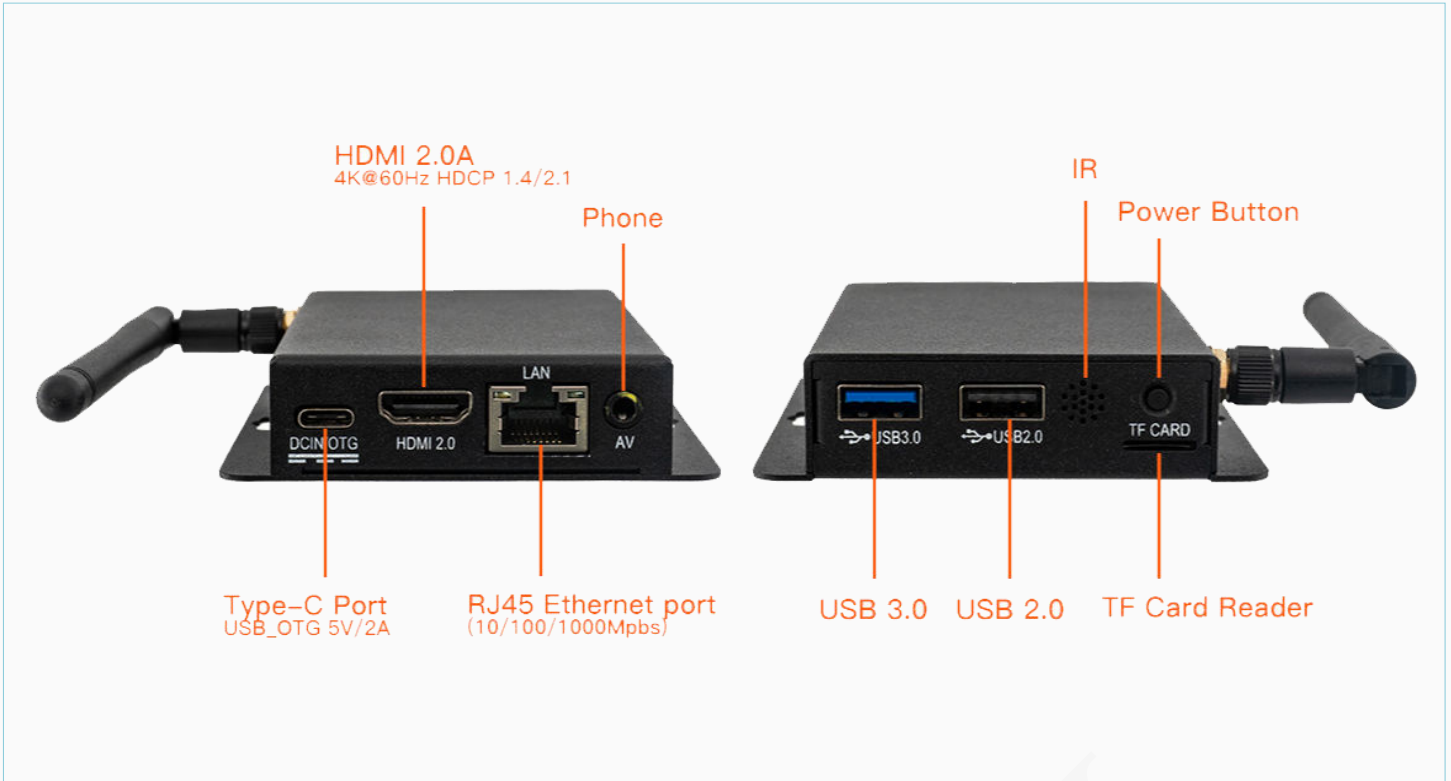
2. Product Specification

Basic Features	
SoC	Rockchip RK3328
CPU	Quad-core ARM® Cortex-A53 64-bit processor, frequency up to 1.5GHz
GPU	ARM Mali-450 MP2 GPU Support OpenGL ES1.1/2.0, OpenVG1.1
VPU	Support 4K VP9 and 4K 10bits H265/H264 video decoding, up to 60fps 1080P multi-format video decoding (WMV, MPEG-1/2/4, VP9, H.264, H.265) 1080P video coding, support H.264/H.265 Video post processor, de-interlacing, de-noising, edge/detail/color optimization/p>
Storage	8GB High-speed eMMC5.1 (8GB/16GB/32GB/64GB/128GB Option) Support MicroSD (TF) Card Slot
RAM	2GB DDR3 (1GB/2GB/4GB Option)
Hardware Features	
Ethernet	10/100/1000Mbps Ethernet interface
WiFi	support 2.4GHz WiFi, 802.11a/b/g/n protocol Support Bluetooth 4.2
Display	1 x HDMI 2.0, support 4K@60Hz display output, support HDCP1.4/2.2 1x CVBS output, Meets 480i, 576i standards
Audio	1 x HDMI, 1×Phone
USB	USB 2.0 Host × 1, USB 3.0 × 1, USB_OTG × 1
IR	1 x IR, Support infrared remote control
RTC	RTC x 1, Onboard battery holder
Power	5V (Powered by Type-C)
OS/Software	
OS	AAAndroid, Ubuntu, Linux+QT
Appearance	
Size	93.5mm * 82mm * 20mm
Case	SPCC Steel , Black Surface

3. PCB Size



4. Interface description



About us

Company introduction

T-Chip Intelligent Technology Co., Ltd. was founded in 2005. It is a national high-tech enterprise. We focus on the research and development, design, production and sales of open source intelligent hardware, internet of things and digital audio products, and provide the overall solution for intelligent hardware products meanwhile.

The open-source brand "firefly" has an open-source community and online shopping mall on the Internet. At present, it has more than 200000 users and more than 5000 enterprise users, accelerating the R & D process for many technology entrepreneurs and start-ups, and providing professional technical services.

T-CHIP INTELLIGENCE TECHNOLOGY CO.,LTD.

Website: www.t-firefly.com

Tel: 4001-511-533

Zip Code: 528400

Addr: Room 2101, Hongyu Building, #57 Zhongshan 4Rd, East District, Zhongshan, Guangdong, China.

Business communication

E-mail: sales@t-firefly.com

Shopping Mall

store.t-firefly.com

t-firefly.taobao.com



WeChat